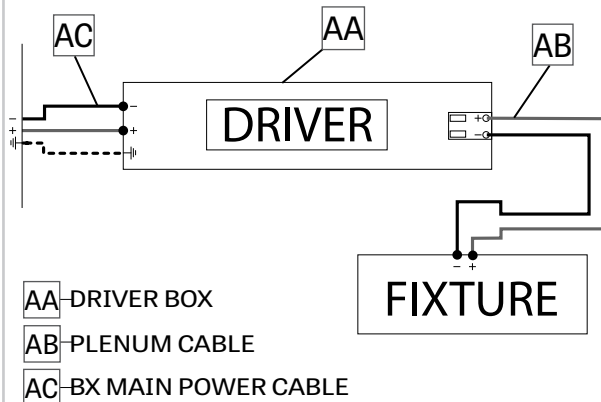


# REMOTE DRIVER BOX

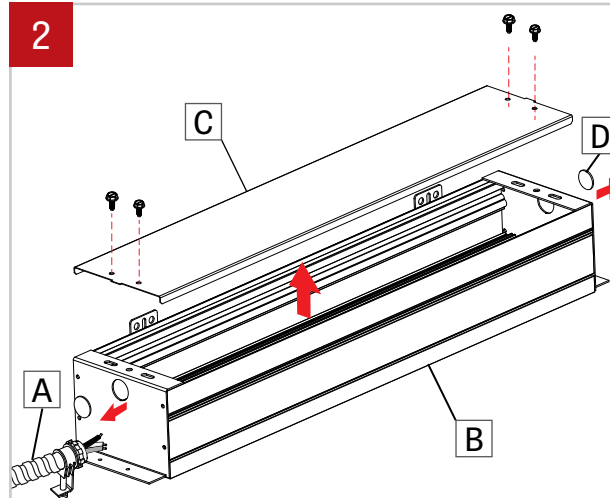
## GRID/DRYWALL DRIVER BOX - INSTALLATION

### 1 SCHEMATIC DIAGRAM



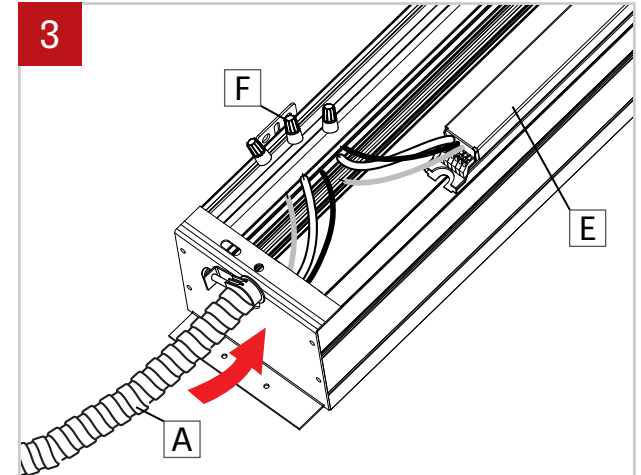
Refer to the schematic diagram for easy understanding.

### 2



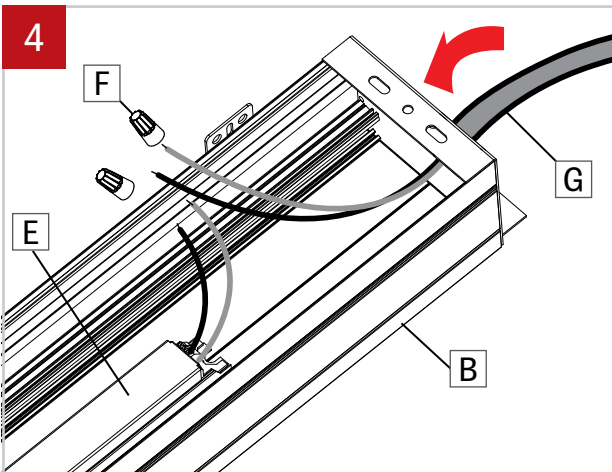
Bring BX Main power cable (A) towards the remote driver box (B). Remove lid (C) and push out power knock out (D).

### 3



Pass and secure the BX Main power cable (A) to the driver box (B). Make wire connections between the BX cable (A) and the driver (E) using the wire nuts (F).

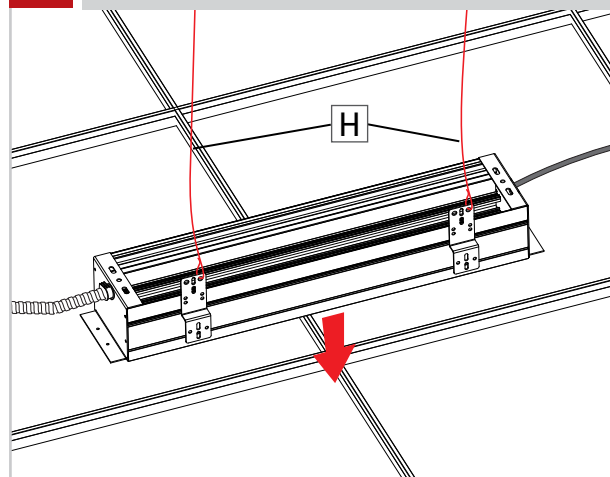
### 4



Pass the Plenum cable (G) from the fixture through the driver box (B). Make wire connections between the Plenum cable (G) and the driver (E) using the wire nuts (F).

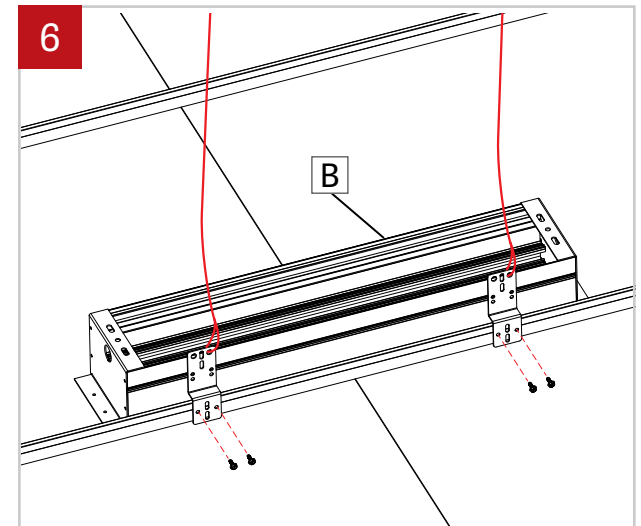
### 5

#### GRID CEILING



Place the Remote driver box onto the T-Bars and place the safety cable. (H)

### 6

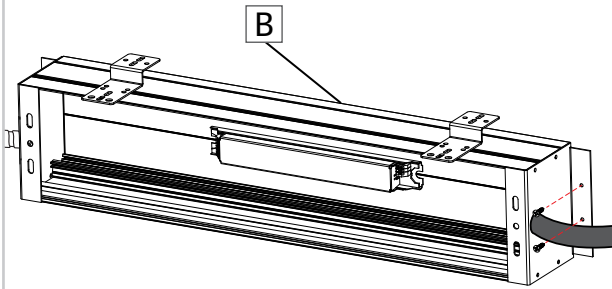


Secure the Driver Box (B) onto the T-Bars using screws.

# REMOTE DRIVER BOX

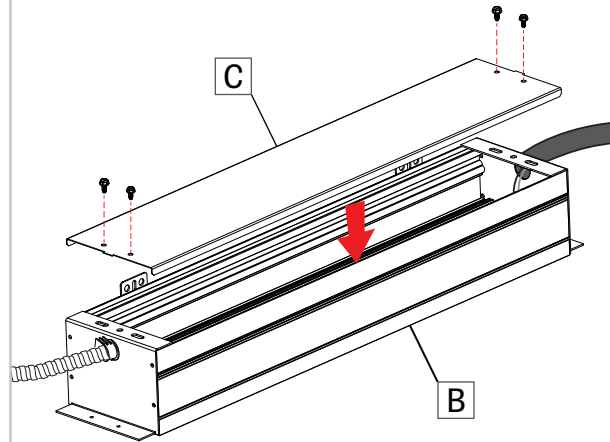
## GRID/DRYWALL DRIVER BOX - INSTALLATION

### 7 DRYWALL



Secure the Remote Driver box (B) to an accessible location using screws and drywall anchors if necessary.

### 8



Reinstall the Lid (C) back onto the driver box (B).