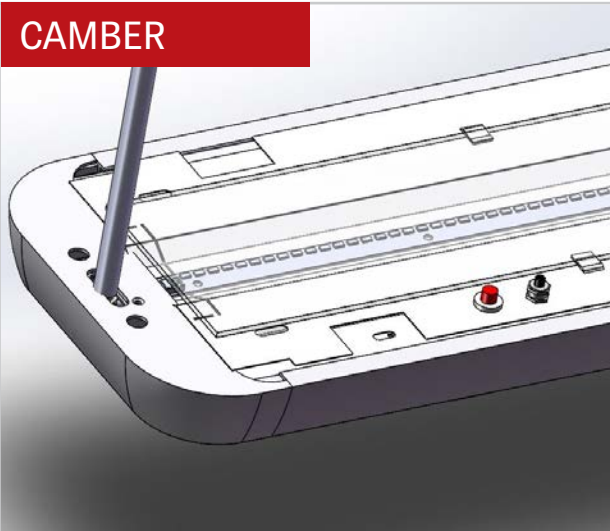


**CAMBER**



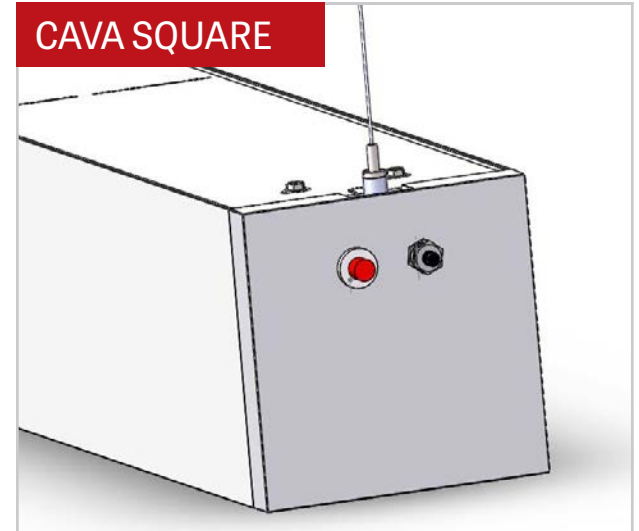
On top (near the end) (min 4' fixture)

**REVEN**



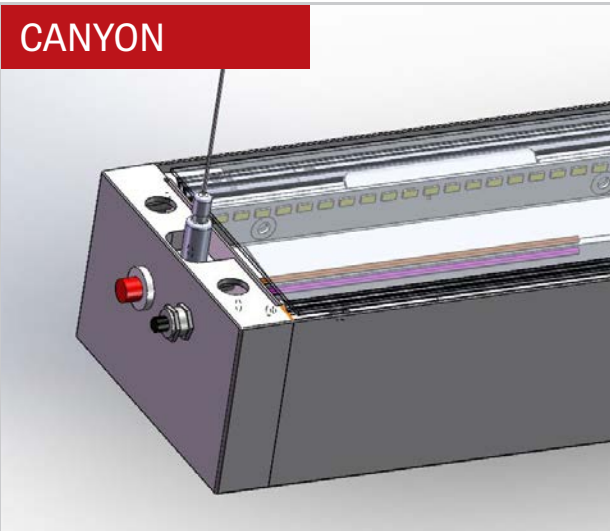
On top (near the end) (min 4' fixture)

**CAVA SQUARE**



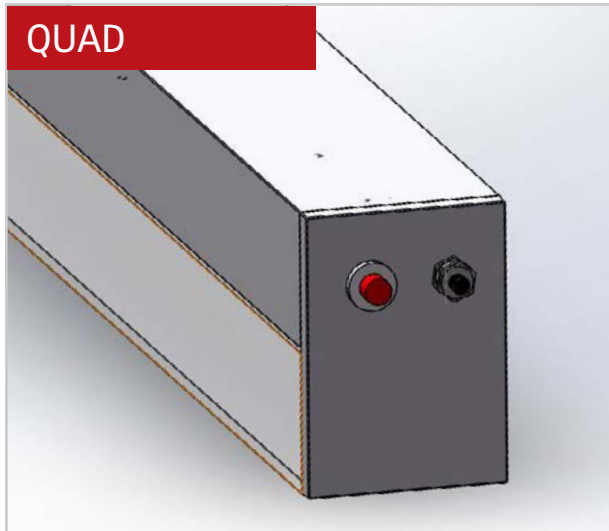
End cap (min 4' fixture)

**CANYON**



End cap (min 4' fixture)

**QUAD**

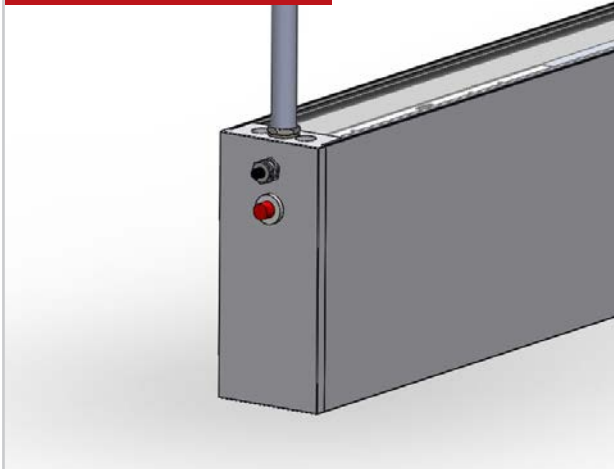


End cap (min 4' fixture)

# FLUORESCENT

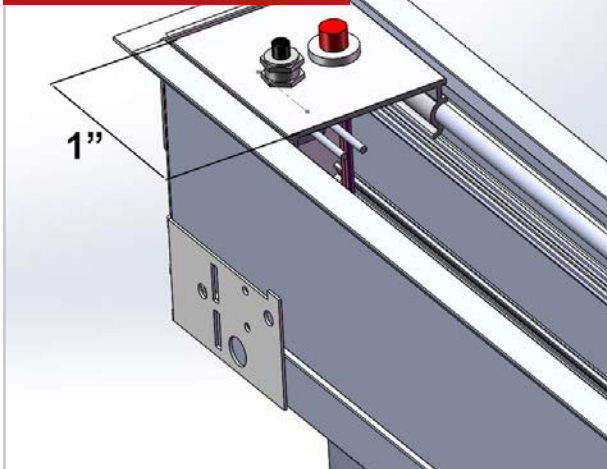
## EMERGENCY BATTERY PACK - TESTING BUTTON LOCATION

### VIA 2-3 PENDANT



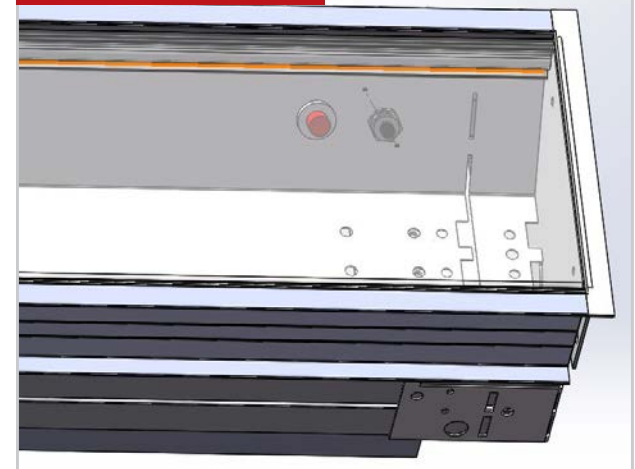
End cap (min 4' fixture)

### VIA 2-3 RECESSED



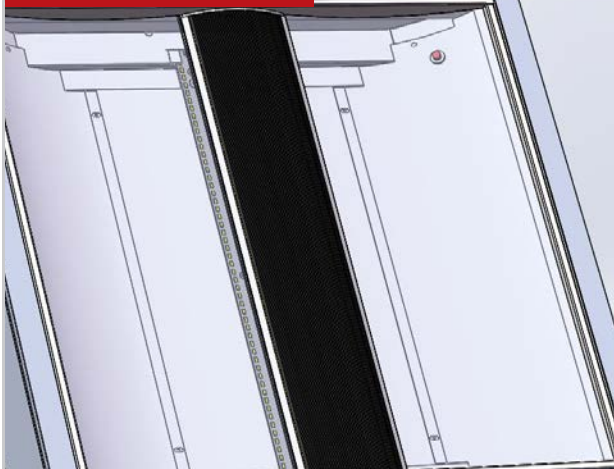
Blank (min 4' fixture)

### VIA 4-5



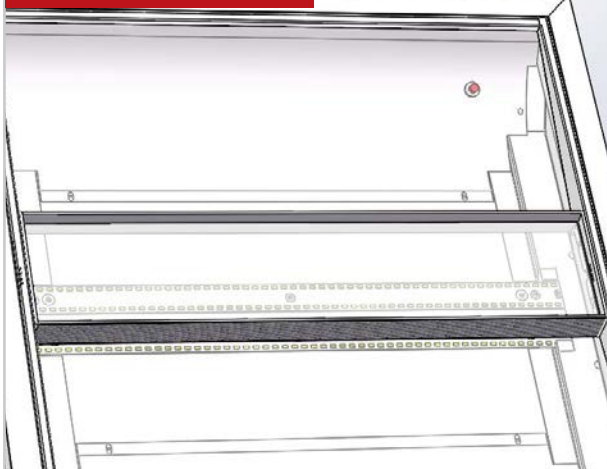
On the reflector (min 4' fixture)

### VEGA



On the reflector

### NOVA



On the reflector