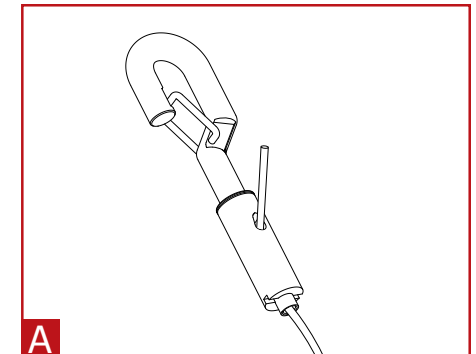
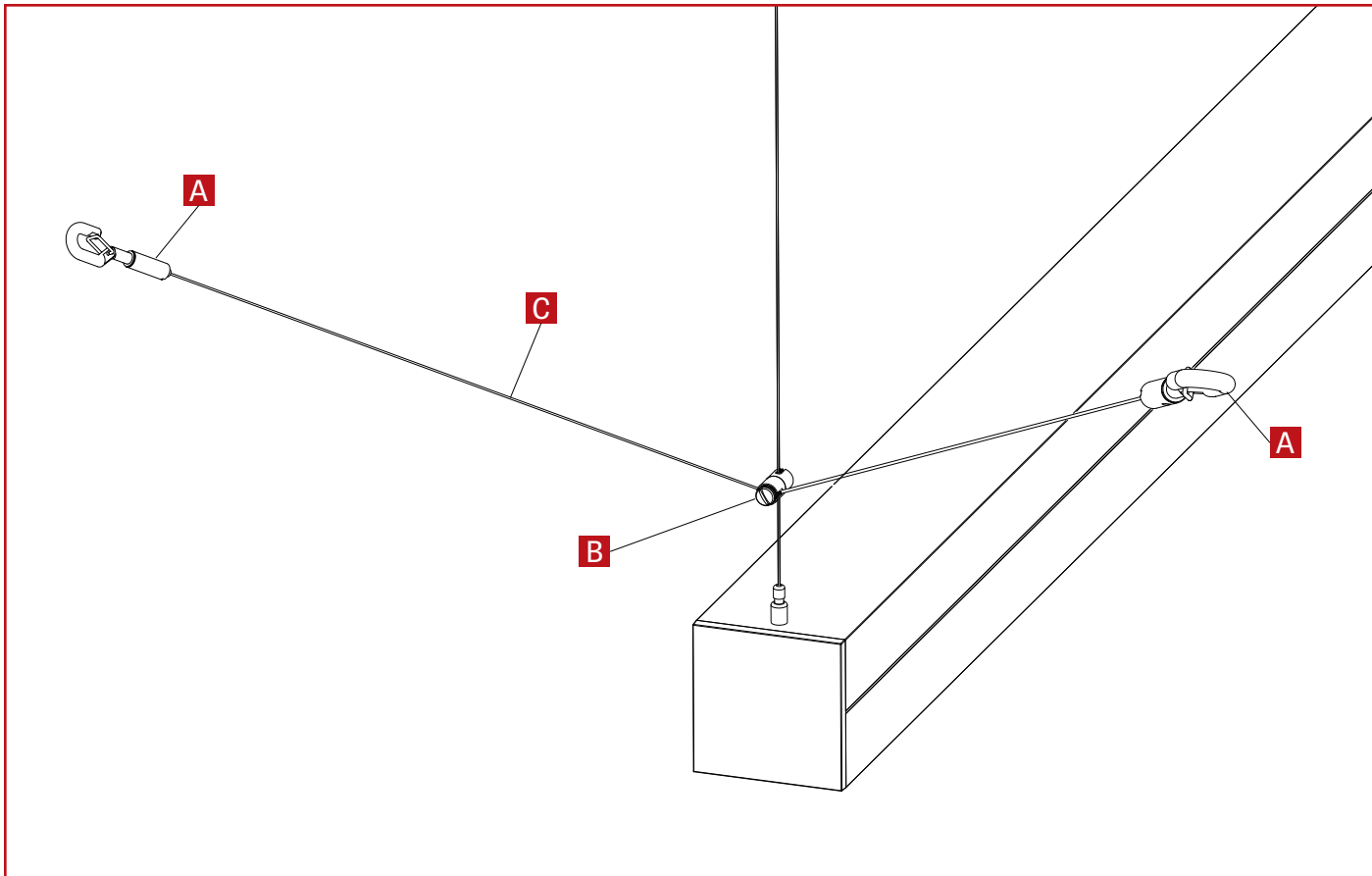
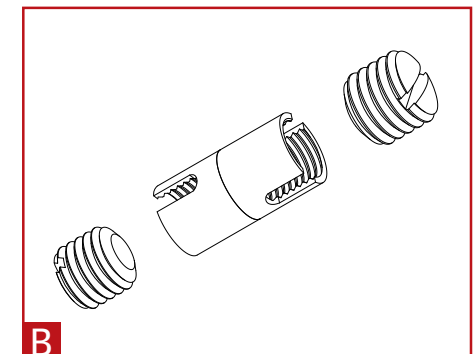


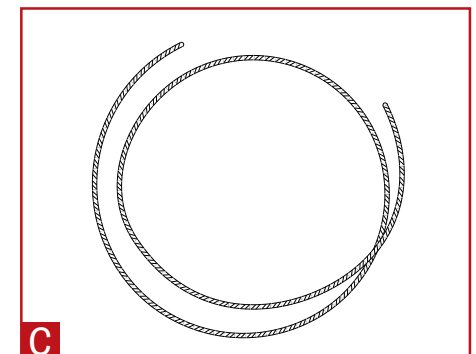
PENDANT FIXTURES - SEISMIC SAFETY CABLES MOUNTING GUIDE



A Gated cable hook (Qty: 2 per pendant cable)



B Unicross cable clamp (Qty: 1 per cable)



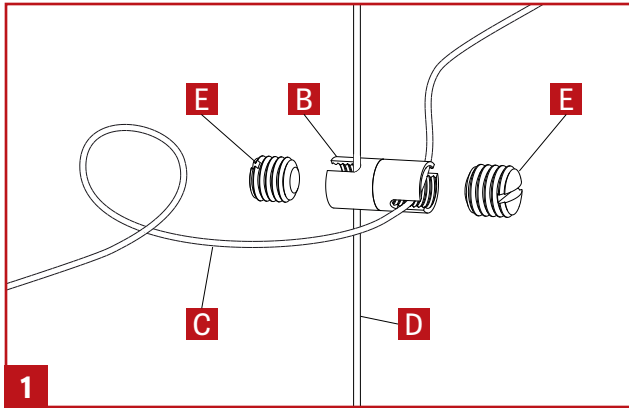
C Aircraft cable (Qty: 1 per cable)

Install the fixture following the appropriate installation guide provide with the fixture.

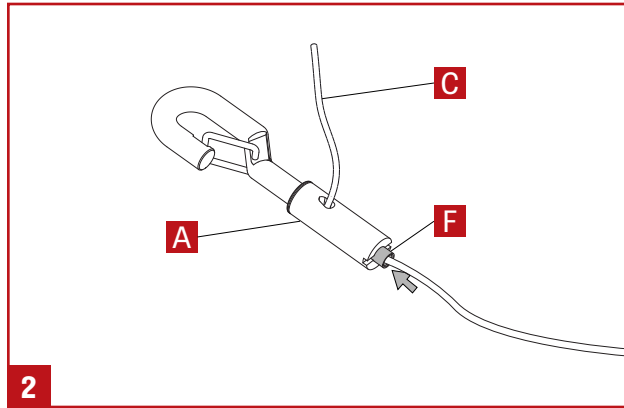
Refer to your local building codes for the height position of the unicross cable clamp.

WARNING RISK OF FIRE AND ELECTRICAL SHOCK. FIXTURE MUST BE INSTALLED BY A QUALIFIED ELECTRICIAN ONLY IN ACCORDANCE WITH NATIONAL, LOCAL BUILDING AND ELECTRICAL CODES. DISCONNECT POWER AT ELECTRICAL PANEL BEFORE SERVICING.

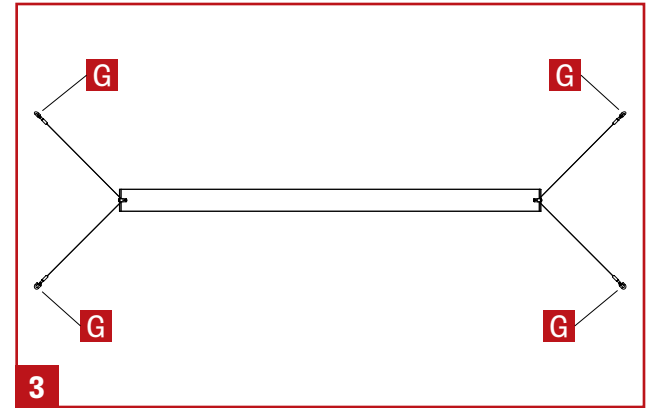
PENDANT FIXTURES - SEISMIC SAFETY CABLES MOUNTING GUIDE



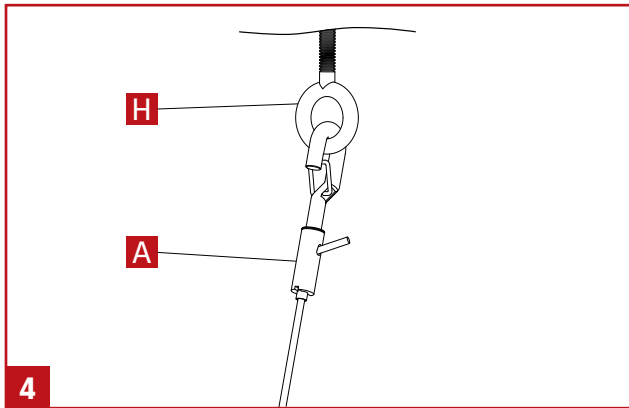
1 Remove the screws (E) from the sides of the uncross cable clamp (B). Install the main body of the uncross cable clamp (B) on the fixture's aircraft cable (D). Insert one of the supplied aircraft cables (C) on the other side of the uncross cable clamp (B). Position the uncross cable clamp (B) to the specified height. Secure both aircraft cables tightly with the screws (E).



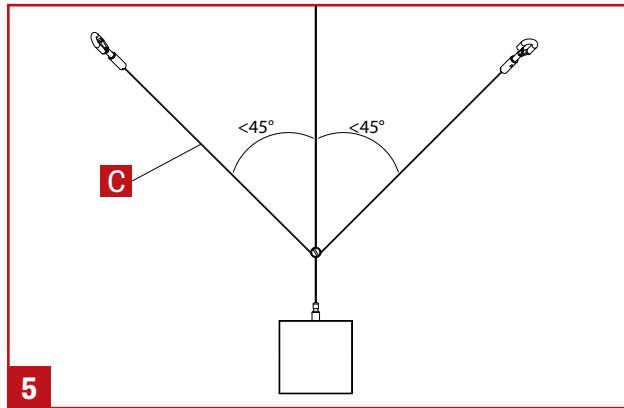
2 Push in one end of the supplied aircraft cable (C) into the gated cable hook (A) until the aircraft cable (C) exits the body. Repeat for the other end of the aircraft cable (C). Adjustment to the aircraft cable length can be made by pushing in the spring loaded cable retainer (F).



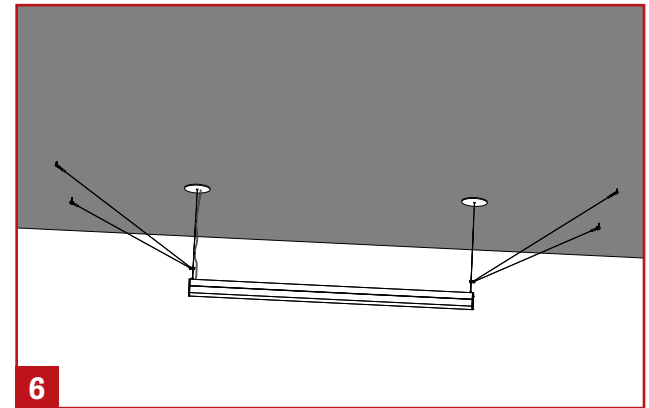
3 The safety aircraft cables must be angled away from the fixture to reduce side to side and back and forth movements. Locate the positions (G) of the ceiling anchors. *(Ceiling anchor positions varies with the locations. Typical set up viewed from the top.)*



4 Install ceiling anchors (H) at all positions around the fixture. Attach the gated cable hooks (A) to each ceiling anchor (Eye hook illustrated). **Refer to your local building codes for approved ceiling anchors.**



5 The safety aircraft cables should be at a 45° or greater angle away from the fixture.



6 The fixture is now secured with seismic safety cables.

WARNING RISK OF FIRE AND ELECTRICAL SHOCK. FIXTURE MUST BE INSTALLED BY A QUALIFIED ELECTRICIAN ONLY IN ACCORDANCE WITH NATIONAL, LOCAL BUILDING AND ELECTRICAL CODES. DISCONNECT POWER AT ELECTRICAL PANEL BEFORE SERVICING.