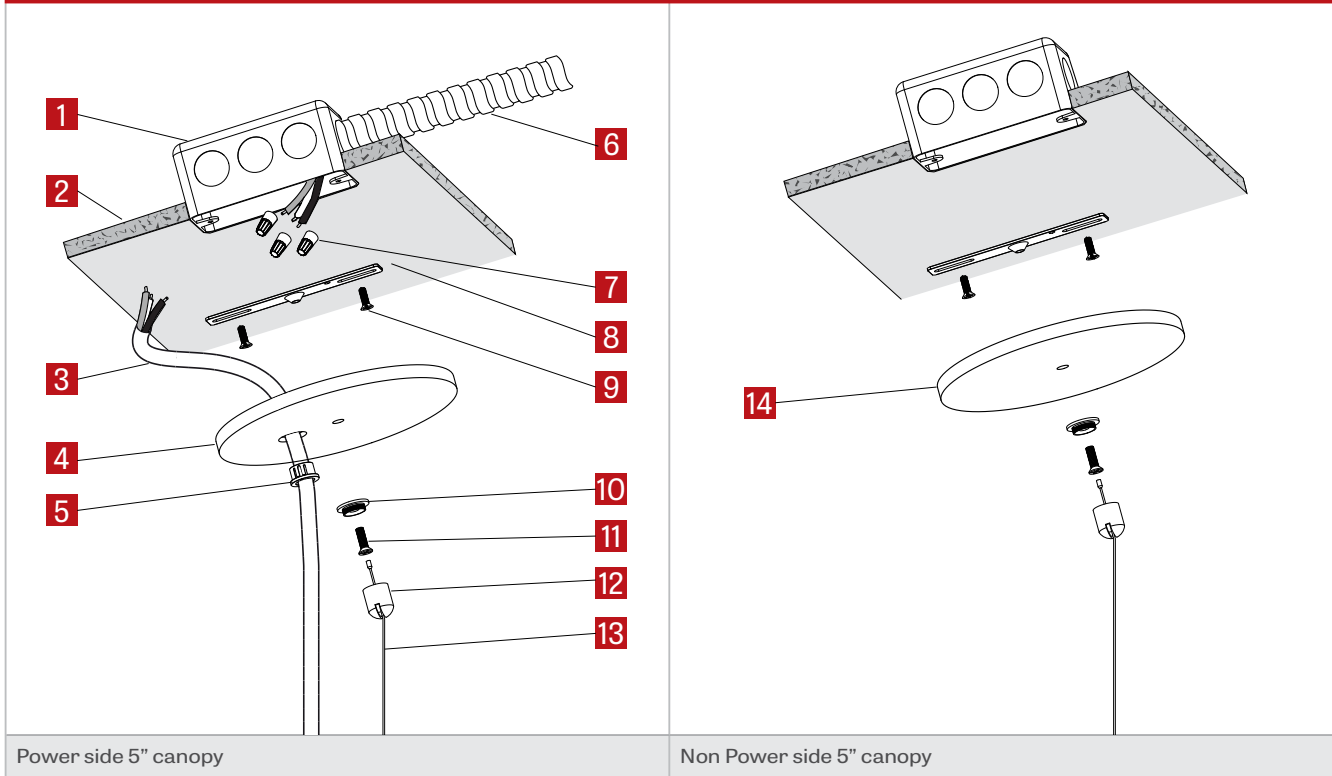


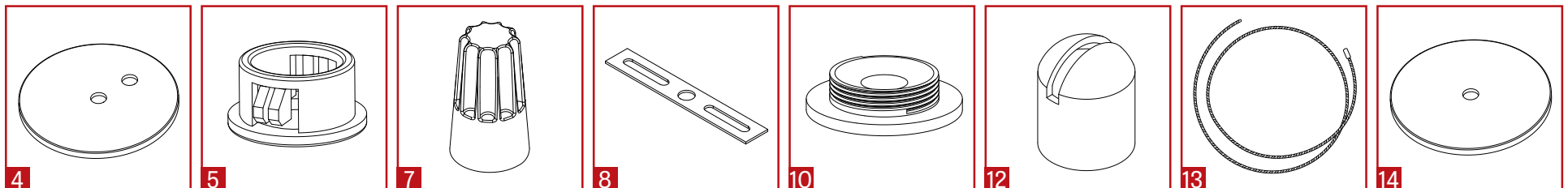
# PENDANT FIXTURES - SLOPED CEILING MOUNTING GUIDE

## SLOPE CEILING - CABLE JUNCTION BOX



## PART LIST

- 1 Junction Box (by others)
- 2 Ceiling Tile (by others)
- 3 Power Cord
- 4 Canopy 5" power side
- 5 Plastic nut
- 6 Armored cable & connector (by others)
- 7 Wire nut
- 8 Junction box crossbar
- 9 Crossbar screw
- 10 Coupler cap
- 11 Coupler screw
- 12 Swivel coupler housing
- 13 Aircraft cable
- 14 Canopy 5" non power side

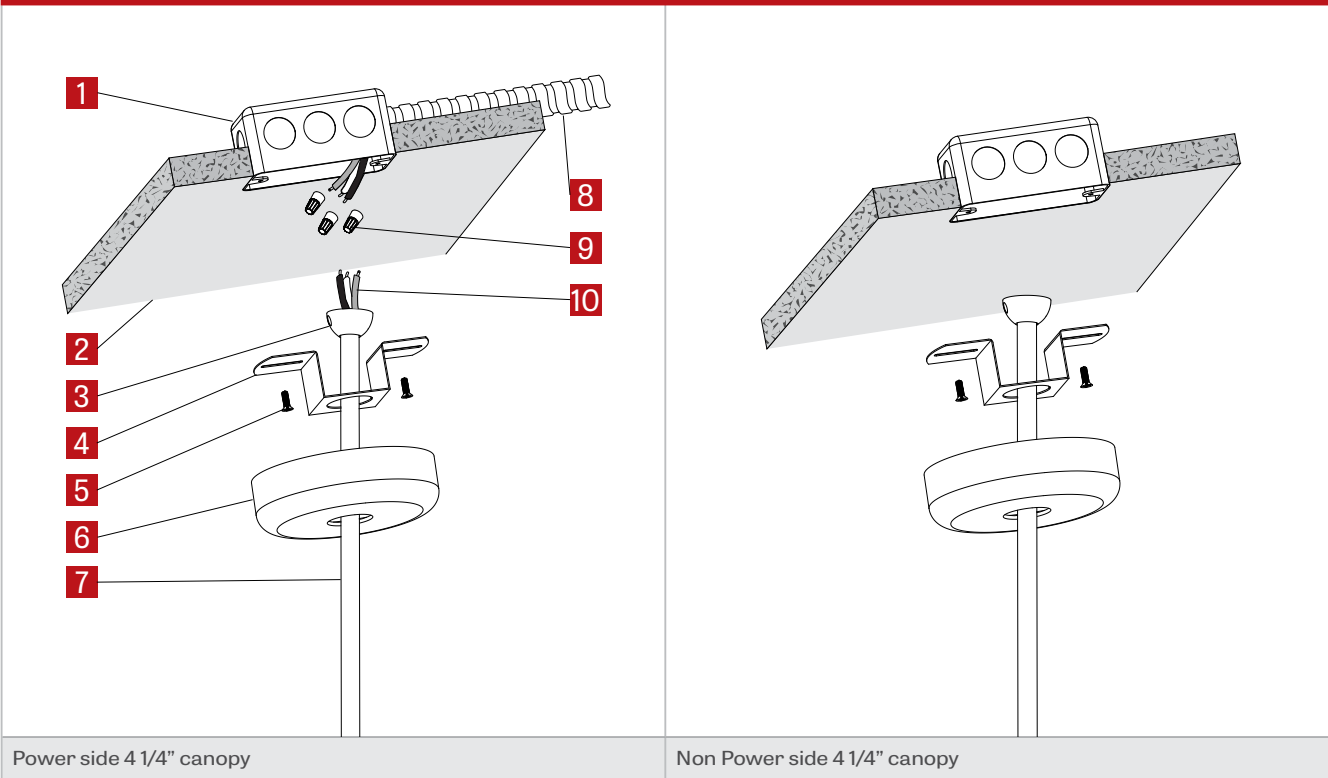


PLEASE NOTE: GENERAL CONTRACTOR IS RESPONSIBLE FOR PROVIDING APPROPRIATE ANCHORING RODS TO SUPPORT LOAD OF FIXTURES DETAILED ON SHOP DRAWING. PLEASE CALL CUSTOMER SERVICE FOR ANY QUESTIONS

**WARNING** RISK OF FIRE AND ELECTRICAL SHOCK. FIXTURE MUST BE INSTALLED BY A QUALIFIED ELECTRICIAN ONLY IN ACCORDANCE WITH NATIONAL, LOCAL BUILDING AND ELECTRICAL CODES. DISCONNECT POWER AT ELECTRICAL PANEL BEFORE SERVICING.

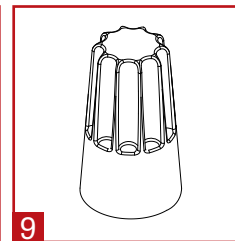
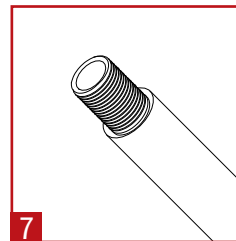
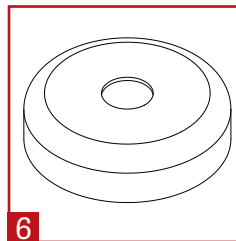
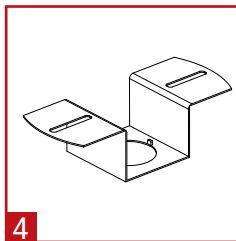
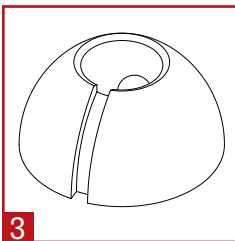
# PENDANT FIXTURES - SLOPED CEILING MOUNTING GUIDE

## SLOPE HEIGHT CEILING - STEM JUNCTION BOX



## PART LIST

- 1** Junction Box (by others)
- 2** Ceiling Tile (by others)
- 3** Stem swivel ball
- 4** Junction box crossbar
- 5** Crossbar screw
- 6** 4 1/4" canopy - stem
- 7** Stem+nipple
- 8** Armored cable & connector (by others)
- 9** Wire nut
- 10** Power Cord



PLEASE NOTE: GENERAL CONTRACTOR IS RESPONSIBLE FOR PROVIDING APPROPRIATE ANCHORING RODS TO SUPPORT LOAD OF FIXTURES DETAILED ON SHOP DRAWING. PLEASE CALL CUSTOMER SERVICE FOR ANY QUESTIONS

**WARNING** RISK OF FIRE AND ELECTRICAL SHOCK. FIXTURE MUST BE INSTALLED BY A QUALIFIED ELECTRICIAN ONLY IN ACCORDANCE WITH NATIONAL, LOCAL BUILDING AND ELECTRICAL CODES. DISCONNECT POWER AT ELECTRICAL PANEL BEFORE SERVICING.