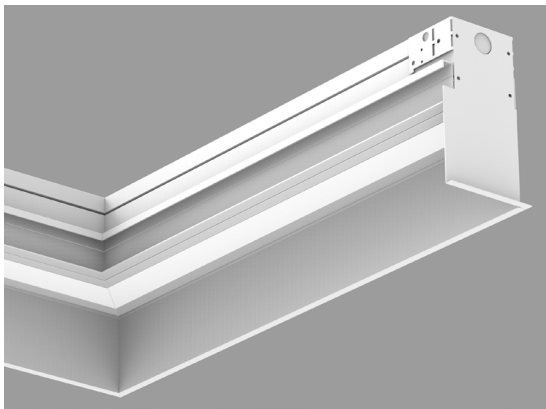


# VIA 3 SKIM LED - PATTERNS



Via skim recessed deep

## DESCRIPTION

**Via Skim** is designed to illuminate textured or polished vertical surfaces with a grazing light from the wall/ceiling intersection. Via Skim provides continuous illumination across the wall surface, including fully luminous corners.

The intense light distribution is achieved with our Grazing Reflector Optic (GRO) oriented to project light with maximum luminous intensity at 5° from nadir.

The Via Skim is available with two depth options: shallow and deep.

Total recessed depth ranges from 4¾" to 7".

PROJECT: \_\_\_\_\_

TYPE: \_\_\_\_\_

NOTES: \_\_\_\_\_

**Via Skim is not recommended to illuminate drywall surface applications**

## ORDER GUIDE

IC RATED

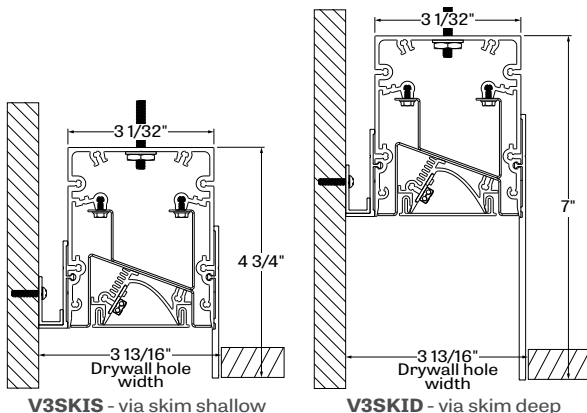
LUMINAIRE ID	GRO OPTICS	LED LIGHT SOURCE	CRI	LUMEN PACKAGES	COLOR TEMP.
<b>V3SKISPAT</b> - via 3 skim recessed shallow pattern <b>V3SKIDPAT</b> - via 3 skim recessed deep pattern	<b>GRO</b> - grazing reflector optic	<b>LED</b> - high performance LED	<b>80</b> - 80CRI <b>90</b> - 90CRI	<b>350</b> - min. low output 350lm/ft <b>500</b> - medium output 500lm/ft <b>750</b> - max. high output 750lm/ft <b>####</b> - other required lm/ft	<b>27</b> - 2700K <b>30</b> - 3000K <b>35</b> - 3500K <b>40</b> - 4000K

PATTERN LENGTH	CORNER TYPE	CORNER DEGREE	VOLTAGE	DRIVER
<b>#FT</b> - nominal length in feet <b>#IN</b> - length in inches Continuous Run - for luminaires over 12'	<b>LEVO</b> - leveled outside corner <b>LEVI</b> - leveled inside corner	<b>90(#)</b> - 90 degrees, specify the number of corners (#) <b>#(#)</b> - Other, specify the angle degree #, followed by the number of corners (#)	<b>120</b> - 120V <b>277</b> - 277V <b>UNV</b> - 120V-277V <b>347</b> - 347V (not available with Lutron)	<b>D1</b> - 1% 0-10V <b>DA</b> - DALI <b>LTEA2W</b> - Lutron 1% - 2 wire FP 120V <b>LDE1</b> - Lutron Hi-lume 1% Eco <b>LDE5</b> - Lutron 5% EcoSystem

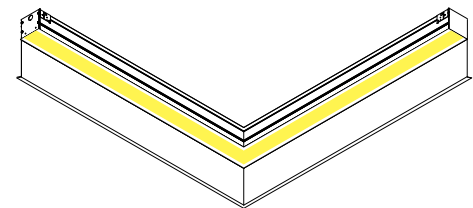
ELECTRICAL	MOUNTING	FINISH	OPTIONS
<b>1</b> - 1 circuit <b>+#EB</b> - emergency battery (min 4' fixture, except Lutron) <b>+#EM</b> - emergency light circuit <b>+#NL</b> - night light circuit <b>+GTD</b> - generator transfer device	<b>TG9</b> - tegular 9/16" <b>TG15</b> - tegular 15/16" <b>TB9</b> - t-bar 9/16" <b>TB15</b> - t-bar 15/16" <b>ST</b> - screw slot t-bar <b>DTR</b> - drywall trim <b>DTL</b> - drywall trimless <b>DMF</b> - drywall mud flange	<b>W</b> - matte white <b>CF#</b> - custom finish specify RAL#	<b>FU</b> - fuse <b>FWC</b> - flexible whip cable (6' std) <b>CP</b> - Chicago Plenum <b>CU</b> - custom

See page 2 for ordering code detailed information

## CROSS SECTION



## 3D VIEW



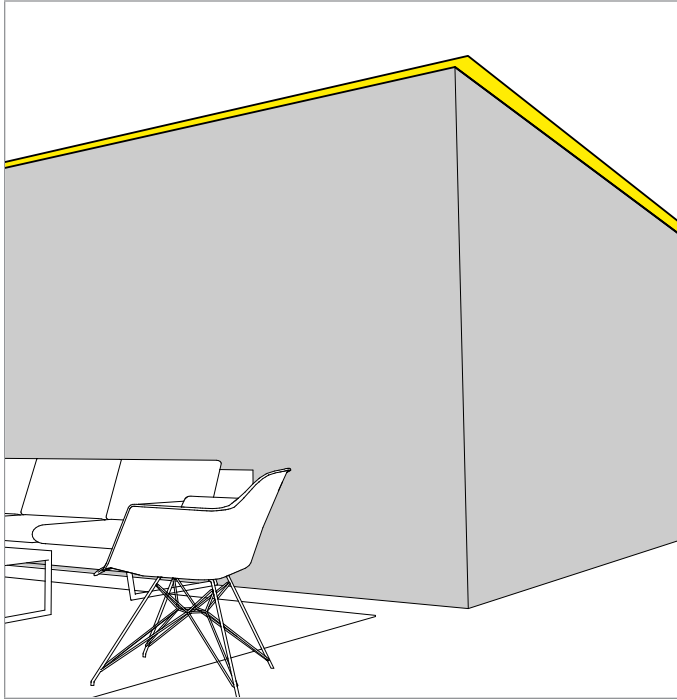
VIA SKIM deep

TECHZONE™ & USG Compatible with 4" ceiling

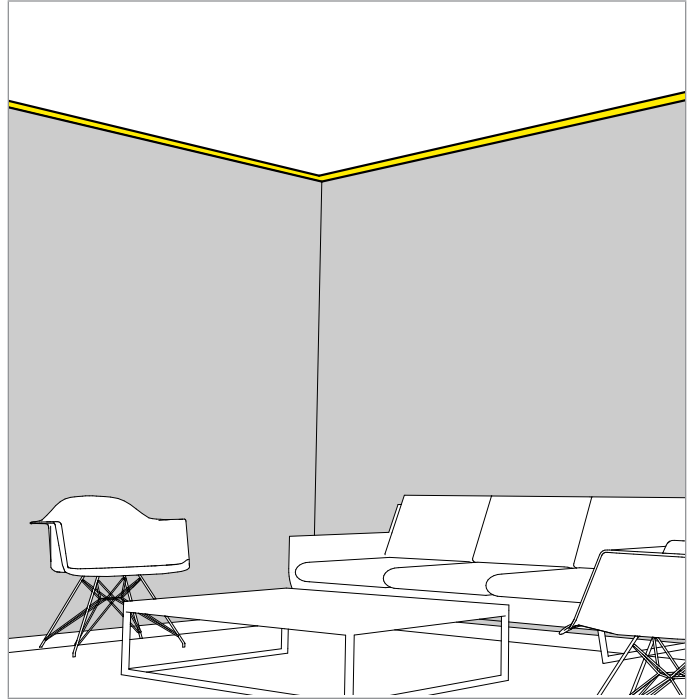


# VIA 3 SKIM LED - PATTERNS

**PATTERN - LEVELED OUTSIDE CORNER**



**PATTERN - LEVELED INSIDE CORNER**



**HOW TO SPECIFY A PATTERN?**

Please follow these steps when specifying in order to be as precise as possible.

- (1) We require a drawing illustrating the pattern you are trying to achieve - anything from a simple line drawing to elaborate architectural drawings will suffice. Please mark clearly on the drawing the location of the wall.
- (2) Under **PATTERN LENGTH**, enter the overall length of your pattern - either in feet or inches.
- (3) Under **CORNER TYPE**, please enter LEVO for leveled outside corner or LEVI for leveled inside corner.
- (4) Under **CORNER DEGREE**, please enter the angle in degrees of each corner required to complete your pattern, followed by the number of corners(#).

PATTERN LENGTH	CORNER TYPE	CORNER DEGREE
#FT - nominal length in feet #IN - length in inches Continuous Run - for luminaires over 12'	LEVO - leveled outside corner LEVI - leveled inside corner	90(#) - 90 degrees, specify the number of corners (#) #(#) - Other, specify the angle degree #, followed by the number of corners (#)

# VIA 3 SKIM LED - PATTERNS

## OPTICS

**GRAZING REFLECTOR OPTIC (GRO)** - The intense light distribution is achieved with our Grazing Reflector Optic oriented to project light with maximum luminous intensity at 5° from nadir.

Via Skim is not recommended to illuminate drywall surface applications.

## LIGHT SOURCE - LED

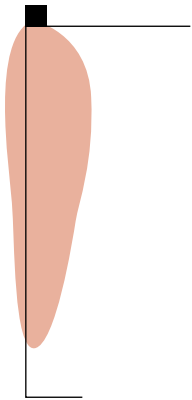
Custom linear array of mid-flux LEDs are cartridge-mounted with quick-connect wiring to facilitate service and thermal management. Available in 2700K, 3000K, 3500K and 4000K with a minimum 80 CRI and an option for 90 CRI with elevated R9 value. Color consistency maintained to within 3 SDCM. LEDs operated at reduced drive current to optimize efficacy and lumen maintenance.

All LEDs have been tested in accordance with IESNA LM-80-08 and the results have shown L80 lumen maintenance greater than 60,000 hours. Absolute product photometry is measured and presented in accordance with IESNA LM-79, unless otherwise indicated.

## PERFORMANCE PER 4' AT 4000K

LED output	Color Temp	Watts	Nominal Delivered Lumens	Efficacy LPW
low output	4000K	19	1400	75
medium output	4000K	27	2000	74
high output	4000K	42	3000	71

## LIGHT DISTRIBUTION



VSKI3D-GRO-LED-80-750-NA-40-20  
 Wall Luminaires: 20' run  
 Lumen Output: 750 lm/ft  
 Watts: 10.5 watts/ft  
 Ceiling Height: 10'  
 Efficacy: 71 lpw

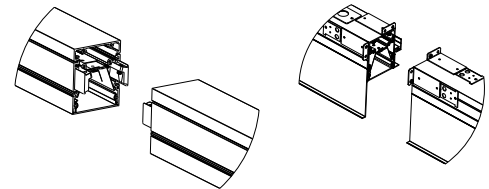
## Foot Candles on 20' wide wall, 10' ceiling

0.8	1.0	1.7	10.1	90.6	88.3	11.1	1.7	1.0	0.9
1.3	1.4	2.2	6.6	15.8	15.9	7.1	2.1	1.3	1.3
1.5	1.5	2.1	3.9	5.7	5.6	3.9	2.1	1.5	1.5
1.7	1.8	2.2	2.9	3.6	3.5	3.1	2.2	1.8	1.8
2.0	2.0	2.3	3.0	3.4	3.5	3.1	2.4	2.1	2.0

## LUMINAIRE LENGTH

All individual sections are joined together onsite using the joiner kits provided. Lumenwerx offers joiner kits that are extremely simple to work with in the field and result in a fixture that appears virtually seamless with no light leak at any connection.

### Joining system



Drywall joining

Grid joining

## ELECTRICAL

Factory-set, adjustable output current LED driver with universal (120-277VAC) input. Dimmable from 100% to 1% with 0-10V dimming control. Rated life (90% survivorship) of 50,000 hours at 50°C max. ambient (and 70°C max. case) temperature. At maximum driver load: Efficiency>84%, PF>0.9, THD<20%. Other specifiable options include Lutron Hi-Lume 1% (specify 2-wire, or Ecosystem Dim-to-Off), Lutron 5-Series (5% Ecosystem) and DALI protocol drivers. All of our standard 0-10V drivers are NEMA 410 compliant.

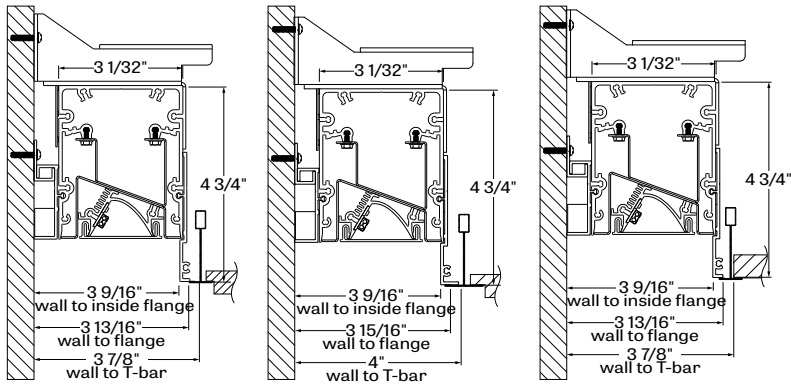
## EMERGENCY

Factory installed long life high temperature recyclable Ni-Cad battery pack with test switch and charge indicator, minimum of 90 minutes operation, up to 1000 lumens per 4ft (25°C) emergency lighting output. Recharge time of 24 hours.

# VIA 3 SKIM LED - PATTERNS

## MOUNTING OPTIONS

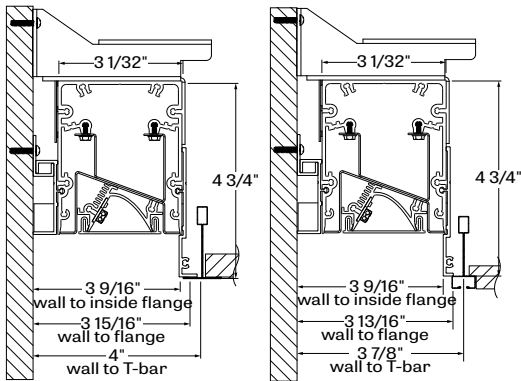
Recess mount into exposed or concealed T-Bar or Tegular grid ceiling,



**TG9** - tegular 9/16"

**TG15** - tegular 15/16"

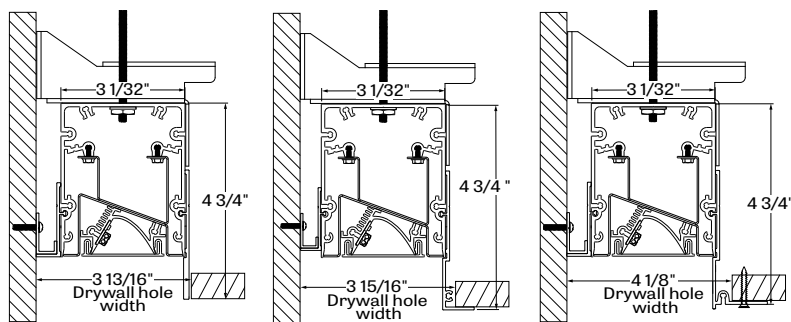
**TB9** - t-bar 9/16"



**TB15** - t-bar 15/16"

**ST** - screw slot t-bar

Mounting for drywall ceilings are available with visible trim, mud flange, trim or trimless.



**DTL** - drywall trimless

**DTR** - drywall trim

**DMF** - drywall mud flange

## FINISH

**Interior** - 95%, reflective matte powder coated white paint

**Exterior** - matte white or aluminum powder coating.

Custom finishes are also available.

## CONSTRUCTION

**Housing** - Extruded aluminum (0.095" nominal) up to 90% recycled content

**Interior brackets** - Die formed cold rolled sheet steel 18 gauge thick

**Joining system** - Die cast zinc (0.95" nominal) and die formed galvanized sheet 18 gauge

**Reflectors** - Extruded aluminum (0.070" nominal) up to 90% recycled content.

**Recessed flanges** - Extruded aluminum (0.075" nominal) up to 90% recycled content

**End plate** - Die formed cold rolled sheet steel 18 gauge thick

## MAINTENANCE

LED boards are housed in a removable cartridge for easy replacement. Driver is accessible from below.

## WEIGHT

**Via Skim 3** 4ft - 11.23lbs - 5.1kg

**Via Skim 3** 8ft - 22.47lbs - 10.2kg

**Via Skim 3** 12ft - 33.70lbs - 15.3kg

## CERTIFICATIONS

**ETL** - Rated for Indoor Dry/Damp locations.

Conforms to UL Standard 1598 and certified to CAN/CSA Standard C22.2 No. 250.0.

**Chicago plenum** - City of Chicago Approved (CCEA)

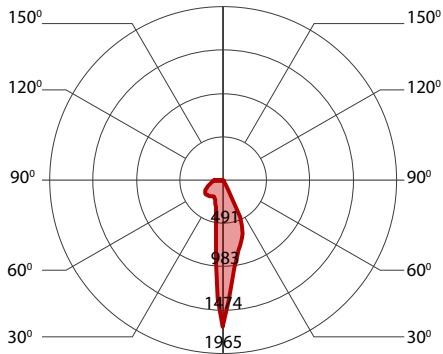
**IC rated** - suitable for direct contact with insulation.

## WARRANTY

Lumenwerx provides a five-year limited warranty of electrical and mechanical performance of the luminaires, including the LED boards, drivers, and auxiliary electronics. Lumenwerx will repair or replace defective luminaires or components at our discretion, provided they have been installed and operated in accordance with our specifications. Other limitations apply, please refer to the full warranty on our website.

# VIA 3 SKIM LED - PATTERNS

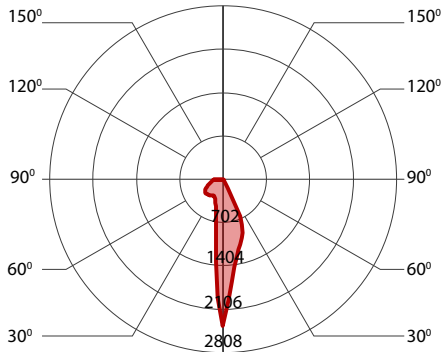
## 350 LUMEN AT 80CRI - LOW OUTPUT



### PERFORMANCE PER 4'

LED output	Color Temp	Watts	Nominal Delivered Lumens	Efficacy LPW
low output	3000K	20	1400	71
low output	3500K	19	1400	73
low output	4000K	19	1400	75

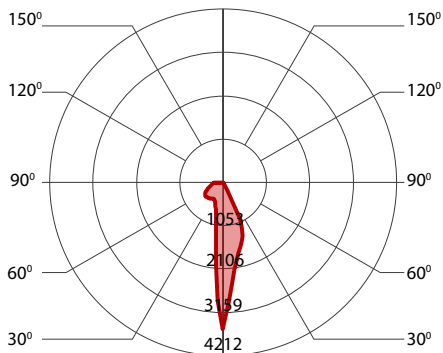
## 500 LUMEN AT 80CRI - MEDIUM OUTPUT



### PERFORMANCE PER 4'

LED output	Color Temp	Watts	Nominal Delivered Lumens	Efficacy LPW
medium output	3000K	28.5	2000	70
medium output	3500K	28	2000	72
medium output	4000K	27	2000	74

## 750 LUMEN AT 80CRI - HIGH OUTPUT



### PERFORMANCE PER 4'

LED output	Color Temp	Watts	Nominal Delivered Lumens	Efficacy LPW
high output	3000K	45	3000	67
high output	3500K	43.5	3000	69
high output	4000K	42	3000	71